

PLEASE CHECK WWW.MOLEX.COM FOR LATEST PART INFORMATION

Part Number: [0194190004](#)
Status: **Active**
Overview: [mx150l sealed connector system](#)
Description: MX150L™ 4 Circuit Plug for 14-16 AWG Wire

Documents:

[3D Model](#) [Product Specification PS-19417-001 \(PDF\)](#)
[Drawing \(PDF\)](#) [RoHS Certificate of Compliance \(PDF\)](#)

Agency Certification

CSA LR18689
 UL E152602

General

Product Family Crimp Housings
 Series [19419](#)
 MolexKits Yes
 Overview [mx150l sealed connector system](#)
 Product Literature Order No 987650-2181
 Product Name MX150L™

Physical

Circuits (maximum) 4
 Flammability 94V-0
 Gender Male
 Glow-Wire Compliant No
 Lock to Mating Part Yes
 Number of Rows 2
 Packaging Type Bag
 Panel Mount No
 Pitch - Mating Interface (in) 0.230 In
 Pitch - Mating Interface (mm) 5.84 mm
 Polarized to Mating Part Yes
 Stackable No
 Temperature Range - Operating -40°C to +125°C

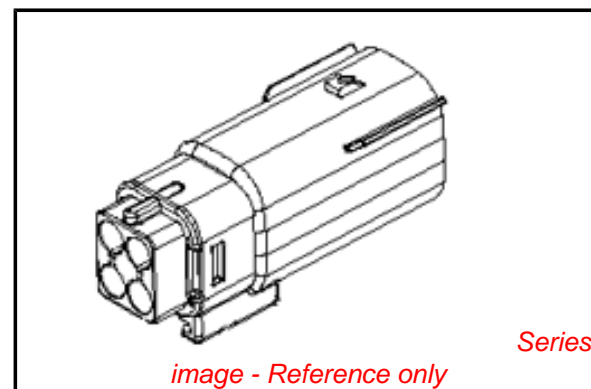
Electrical

Current - Maximum per Contact 18A

Material Info

Reference - Drawing Numbers

Application Specification AS-19417-001
 Packaging Specification PK-19419-001
 Product Specification PS-19417-001
 Sales Drawing SD-19419-001



EU RoHS

**ELV and RoHS
 Compliant**
REACH SVHC
 Not Reviewed
**Halogen-Free
 Status**
 Not Reviewed

China RoHS



**Need more information on product
 environmental compliance?**

Email productcompliance@molex.com
 For a multiple part number RoHS Certificate of
 Compliance, [click here](#)

Please visit the [Contact Us](#) section for any
 non-product compliance questions.

Search Parts in this Series

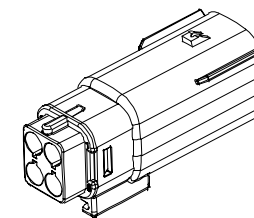
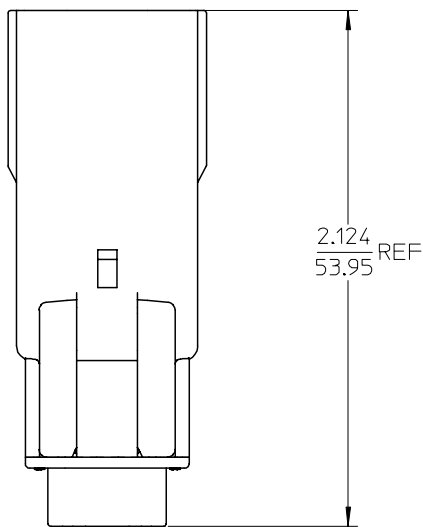
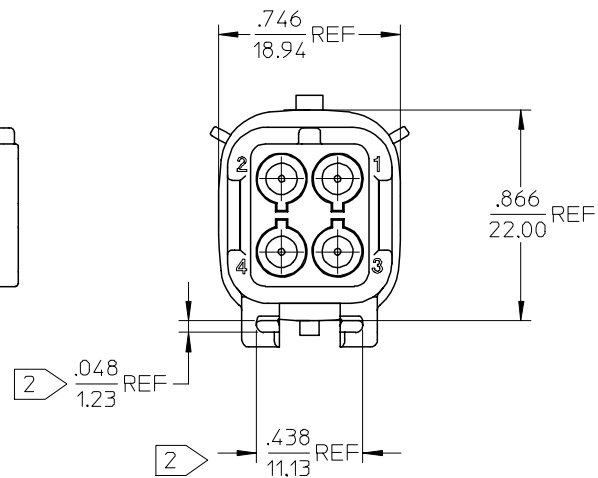
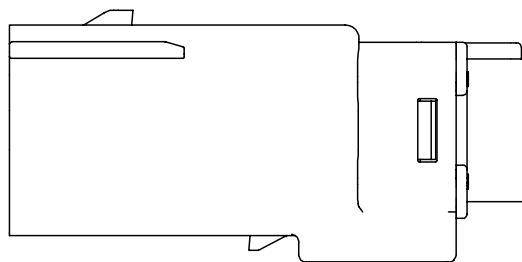
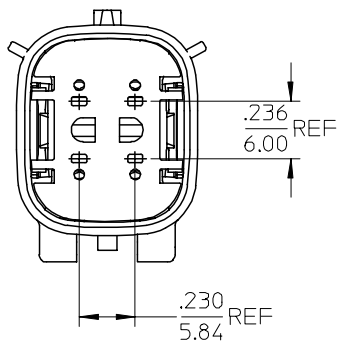
[19419Series](#)

Mates With

[19418 Receptacle Assemblies](#)

Use With

[19417 Male Crimp Terminals](#)



ASSEMBLED VIEW
SCALE 1:1

NOTES:

1. ASSEMBLY BULK PACKAGED PER PK-19419-001.
2. MOUNTING SLOT DIMENSIONS.
3. USE CONNECTOR WITH MALE CRIMP TERMINAL: SERIES 19417.

(B1) 194190030	4	24
194190004	4	16-14
194190005	4	22-18
MATERIAL NUMBER	CIRCUIT SIZE	UL WIRE AWG

ADD MAT'L #194190030 EC NO: ETC2006-0082 DRWNG:MYRICK 2005/12/02 CHKD: 2005/12/06 APPR:RDEROSS 2005/12/06	QUALITY SYMBOLS	GENERAL TOLERANCES (UNLESS SPECIFIED)	DIMENSION STYLE IN/MM	SCALE 2:1	DESIGN UNITS INCH	THIRD ANGLE PROJECTION																												
	▽=0 ▽=0	<table border="1"> <tr> <th></th> <th>mm</th> <th>INCH</th> </tr> <tr> <td>4 PLACES</td> <td>± .005</td> <td>± .0005</td> </tr> <tr> <td>3 PLACES</td> <td>± .013</td> <td>± .01</td> </tr> <tr> <td>2 PLACES</td> <td>± 0.25</td> <td>± .01</td> </tr> <tr> <td>1 PLACE</td> <td>± 0.13</td> <td>± .01</td> </tr> </table>		mm	INCH	4 PLACES	± .005	± .0005	3 PLACES	± .013	± .01	2 PLACES	± 0.25	± .01	1 PLACE	± 0.13	± .01	<table border="1"> <tr> <td>DRAWN BY</td> <td>DATE</td> </tr> <tr> <td>B. RUPERT</td> <td>11/07/02</td> </tr> <tr> <td>CHECKED BY</td> <td>DATE</td> </tr> <tr> <td>J. PAWLIC</td> <td>11/08/02</td> </tr> <tr> <td>APPROVED BY</td> <td>DATE</td> </tr> <tr> <td>R. DEROSS</td> <td>11/08/02</td> </tr> </table>	DRAWN BY	DATE	B. RUPERT	11/07/02	CHECKED BY	DATE	J. PAWLIC	11/08/02	APPROVED BY	DATE	R. DEROSS	11/08/02	TITLE	4 WAY PLUG ASSEMBLY		
		mm	INCH																															
	4 PLACES	± .005	± .0005																															
3 PLACES	± .013	± .01																																
2 PLACES	± 0.25	± .01																																
1 PLACE	± 0.13	± .01																																
DRAWN BY	DATE																																	
B. RUPERT	11/07/02																																	
CHECKED BY	DATE																																	
J. PAWLIC	11/08/02																																	
APPROVED BY	DATE																																	
R. DEROSS	11/08/02																																	
REV B1	DESCRIPTION	DRAFT WHERE APPLICABLE MUST REMAIN WITHIN DIMENSIONS	SIZE B	MATERIAL NO. SEE CHART	DOCUMENT NO. SD-19419-001	SHEET NO. 1 OF 1																												